

Multi Purpose Belt Type Optical Sorter



CSV600BI



CSV600BI

**SATAKE CORPORATION**

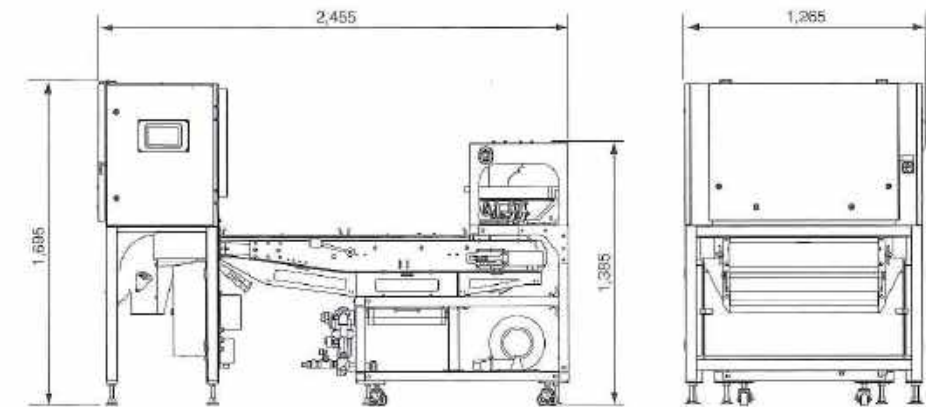
**Specifications**

Model		CSV600BI
Subject Material <sup>※1</sup>		Beans,Seed,Nuts,Food(Snacks),Industrial Products(Recycled Plastic)
Maximum Capacity <sup>※2</sup> (t/h)		Soybean: 6.0
Power Supply (V)		Single Phase AC200 - 220
Air Consumption (N <sub>2</sub> /min)		1000 - 1500
Raw Material Supply		Feeder
Belt	Material	Polyurethane (for food use)
	Dimension of Belt Conveyor (mm)	Width: 650 Length: 1,680
Optical Element	Camera	Full Color CCD x 4
	Light Source	White LED
Sorting Section	Nozzle Pitch (mm)	5
Cleaning Device		Wiper,Sweeper
Control Panel		Full Color Touch Panel
Net Weight (kg)		about 1,000

※1 Sorting is unable depending on aspect of material.

※2 Sorting performance varies depending on variety and contamination of material.

**Dimensions(mm)**



BELTUZA CSV600BI

All Satake products are the subject of continuous development and, as a result, their specification may change and differ in detail from those shown.

**SATAKE CORPORATION**

**Head Office**  
2-30 Saijo Nishinomachi,  
Higashi-Hiroshima-shi, Hiroshima-ken,  
739-8602, Japan  
URL : [www.satake-group.com](http://www.satake-group.com)

**SATAKE USA INC.**  
10900 Cash Road,  
Stafford, Texas, 77477, U.S.A.  
URL : [www.satake-usa.com](http://www.satake-usa.com)

**SATAKE AMERICA LATINA LTDA.**  
Rua Xavantes, 155-Pav. 20, Bairro  
Aliradores, CEP 89203-210, Joinville,  
Santa Catarina, Brazil  
URL : [www.satake.com.br/](http://www.satake.com.br/)

**SATAKE EUROPE LTD.**  
P.O. Box 53, Horsfield Way, Bredbury  
Industrial Park, Bredbury, Stockport,  
Cheshire, SK6 2SU, U.K.  
URL : [www.satake-europe.com](http://www.satake-europe.com)

**SATAKE INDIA ENGINEERING PVT. LTD.**  
4th Floor, Tower-1, HB Twin Towers, A2,  
3, 4, Netaji Subhash Place, Wazirpur  
District Centre, New Delhi, 110034, India  
URL : [www.satakeindia.com/](http://www.satakeindia.com/)

**SATAKE (THAILAND) CO., LTD.**  
133,134 Moo 5, Bangkadi, Mueang  
Pathum Thani, Pathum Thani 12000,  
Thailand  
URL : [www.satake.th](http://www.satake.th)

**SATAKE INTERNATIONAL BANGKOK CO., LTD.**  
888/84 Mahatun Plaza Bld., 8th Floor,  
Ploenchit Rd., Lumpini, Pathumwan,  
Bangkok, 10330, Thailand  
URL : [www.satake.th](http://www.satake.th)

**PT. SATAKE GOBEL INDONESIA**  
Gedung Surabaya Bumi Mandiri,  
Lantai 9, Jalan Jenderal Basuki  
Rachmat Nomor 129-137, Unit 905 B,  
Indonesia

**SATAKE MANUFACTURING (SUZHOU) CO., LTD.**  
229 Jin Feng Road, Suzhou New  
District, Suzhou, Jiangsu Province,  
215129, China  
URL : [www.satake.cn/](http://www.satake.cn/)

**SATAKE AUSTRALIA PTY. LTD.**  
15 Lotland Street, Penrith, N.S.W.,  
2750, Australia  
URL : [www.satake.com.au](http://www.satake.com.au)

ISO 9001 Certification  
(Quality Management Systems)

ISO 14001 Certification  
(Environment Management System)

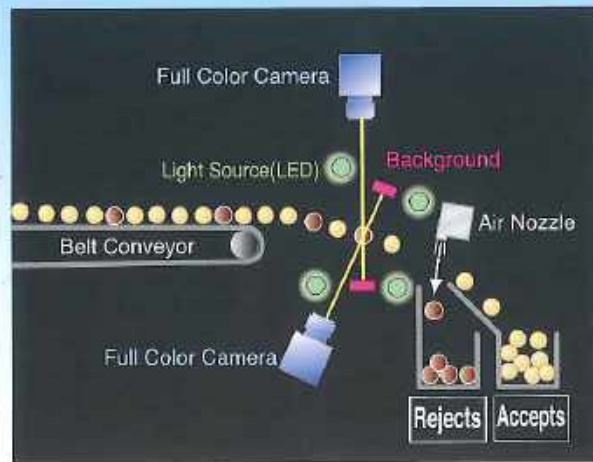
SATAKE CORPORATION has obtained  
ISO9001 and ISO14001 certification.  
These international standards for management  
systems ensure Satake will continue to provide  
high quality products and services.

CSV600BI

# Shape Sorting and Sensitivity Creation System

**AUTOMATIC SENSITIVITY CREATION**

## Full Color Camera and Stable Belt Conveying



## Recognize the Shape

Recognizes and ejects the object based on shapes.



The new feature, Shape Sorting, enables the machine to sort the material by shape (such as broken or adhered) which the conventional color sorters could not achieve.

## Easy Sort Setting in Different Materials

Satake's own automatic sensitivity creation system allows the users to adjust the sort setting easily in every material.



Scan the accepts image with full color camera.



Scan the rejects image.



Press the button to create the sensitivity by which the machine distinguishes accepts and rejects.

The belt stably and uniformly conveys the materials to assure high sorting accuracy. The improved LED lightning enables the sensors to capture the slightest color differences. Defective products are ejected from the product stream by air. Feeding and discharging section are made of stainless steel for higher hygiene standards.

## Sort Various Materials

The machine can sort light materials by slowing down the belt speed.



## Usability

Lightly Operating Touch Panel



Screen can be operated with the same actions as smartphones. Excellent visual screen design provides user-friendly operation.

## Maintenance

Hygienic Body



The machine body is a dividable structure for easy cleaning and maintenance. Belt conveyor is easy to remove.

## Economy

Long Lifetime LED Lighting



LED lightning is applied for optical section. It's lifetime is ten times longer compared with our existing fluorescent lamps.

## Parts Names

