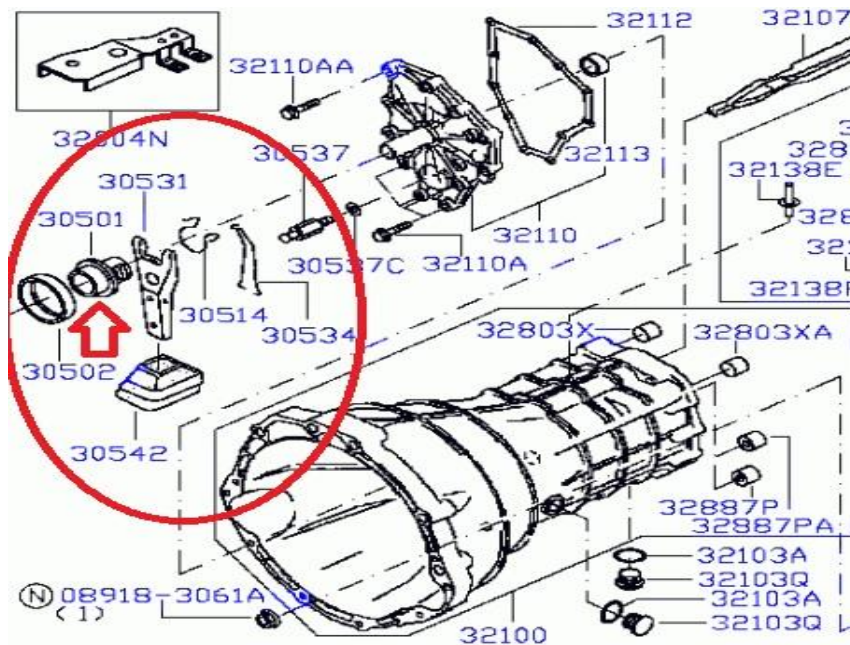


NSK2191SMF - Bearing Replacement

On some occasions, it may be necessary to purchase additional parts from a Nissan genuine parts supplier when installing this kit. This is due to a competitor aftermarket kit using a non-OE bearing which requires the removal of certain components (the bearing sleeve and possibly the associated clips which connect the release bearing to the clutch lever):



Issued: 08/11/2016 CR

EXEDY Clutch Europe Ltd
Unit 2, Rokeby Court, Runcorn, Cheshire, WA7 1RW
Tel: +44 (0) 1928 571850 Fax +44 (0) 1928 571852 E-mail: technical@exedy.co.uk
©EXEDY Clutch Europe Ltd | www.exedy.co.uk

